

GS-065 Thrust Bearing

The GS-065 is designed to a highly reliable single-component thrust (mast/stay) bearing also enhance the safety of an antenna system.

Accepts masts up to 65-mm diameter

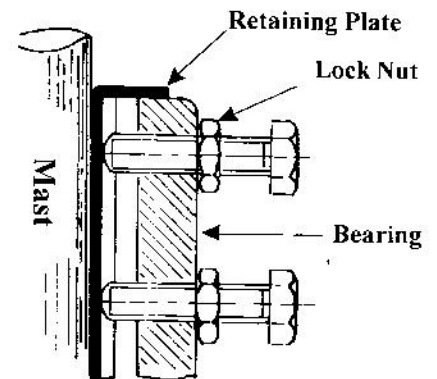
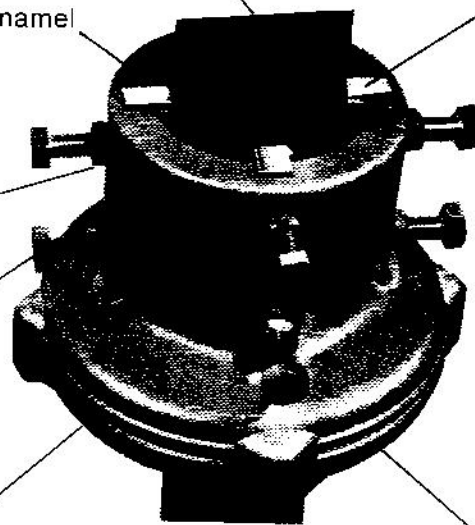
The housing consists of highly corrosion-resistant diecast aluminum with a baked enamel finish.

Lock nuts ensure reliable mast attachment.

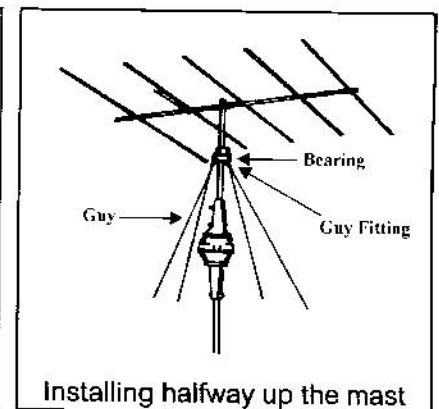
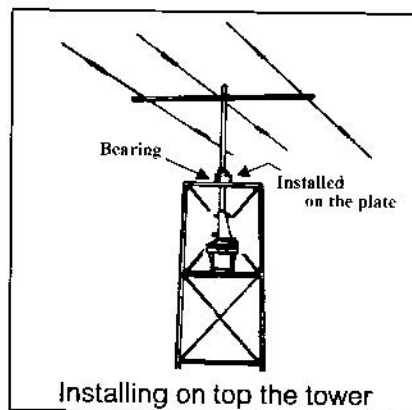
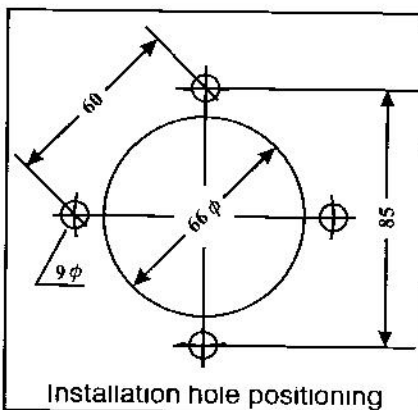
Hardened mounting bolts.

Reliable two-level bearing mechanism and metallic molybdenum grease (black) provides a practically unlimited useful life.

A new retaining plate mechanism changes the nature of the contact with the mast from point to surface contact. The result is a significant reduction in the potential for the mast to break or become corroded.



Grooves for installing guy attachment fittings allow easy tightening.



VERTEX STANDARD CO., LTD.

4-8-8 Nakameguro, Meguro-Ku, Tokyo 153-8644, Japan

VERTEX STANDARD

US Headquarters

17210 Edwards Rd., Cerritos, CA 90703, U.S.A.

International Division

8350 N.W. 52nd Terrace, Suite 201, Miami, FL 33166, U.S.A.

YAESU EUROPE B.V.

P.O. Box 75525, 1118 ZN Schiphol, The Netherlands

YAESU UK LTD.

Unit 12, Sun Valley Business Park, Winnall Close
Winchester, Hampshire, SO23 0LB, U.K.

YAESU GERMANY GmbH

Am Kronberger Hang 2, D-65824 Schwalbach, Germany

YAESU HK LTD.

11th Floor Tsim Sha Tsui Centre, 66 Mody Rd.,
Tsim Sha Tsui East, Kowloon, Hong Kong

Maximum mast diameter: 65 mm

Weight: Approx. 1.5 kg

Material: Corrosion-resistant diecast aluminum

Accessories:

Guy attachment	4 pieces
Retaining plate	4 pieces
Hexagonal bolts M8 x 16	4 pieces
Spring washer 8 mm	4 pieces

YAESU